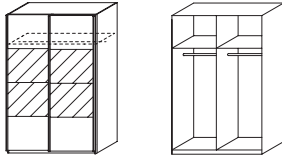
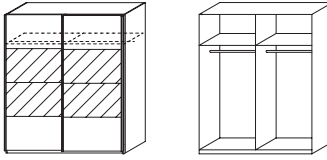
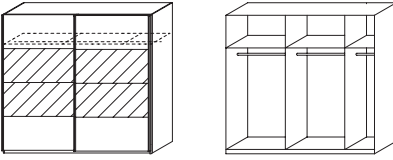
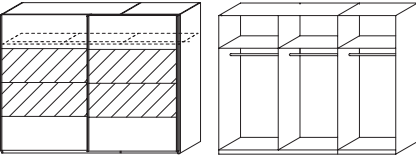
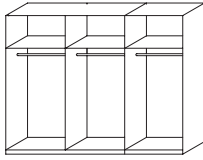
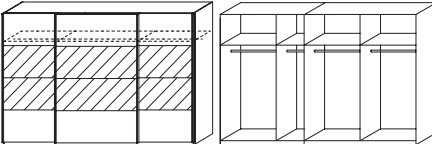
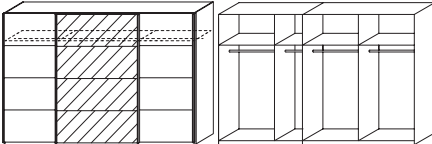
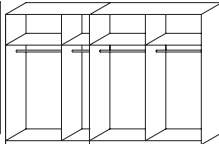
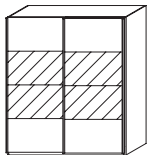
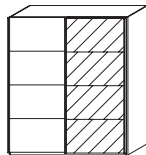
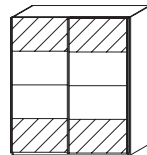
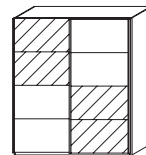
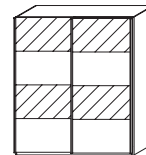
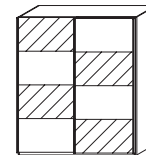


Front/Carcase	Colour no.
Sonoma oak colour	A6M48
Alpine white	A9518

ROBES		Gliding door robes, partitioned front											
Extras for gliding door robes, please see ACCESSORIES PC.		68 68		90 90		90 90 45		90 90 90					
										Gliding door robe	Gliding door robe	Gliding door robe	Gliding door robe
										2 doors, partitioned front ↔ 136 cm ↓ 210 cm ↗ 62 cm	2 doors, partitioned front ↔ 181 cm ↓ 210 cm ↗ 62 cm	2 doors, partitioned front ↔ 226 cm ↓ 210 cm ↗ 62 cm	2 doors, partitioned front ↔ 271 cm ↓ 210 cm ↗ 62 cm
Art.no.		OK71		OK72		OK73		OK74					

ROBES		Gliding door robes, partitioned front					
Extras for gliding door robes, please see ACCESSORIES PC.		90 45 90 90		90 45 90 90			
						Gliding door robe	Gliding door robe
						3 doors, partitioned front ↔ 315 cm ↓ 210 cm ↗ 62 cm	3 doors, partitioned front ↔ 315 cm ↓ 210 cm ↗ 62 cm
Art.no.		OK75		OK76			

ROBES		Design options for 2-door gliding door robes - EXCEPTION: Gliding door robes, 3-door Art. No. 0K75 and 0K76					
		You have the choice - 2 doors - 8 fields - with a lot of combination possibilities!					
							
Art.no.							